

CARPET-SWEEPER 28

OPERATOR MANUAL



ING. O. FIORENTINI
INDUSTRIAL CLEANING MACHINE

IMPORTANT SAFETY INSTRUCTIONS

Read all instructions before using.

THIS APPLIANCE IS INTENDED FOR DRY USE ONLY!
DO NOT USE ON WET FLOORS OR CARPET!

WARNING!

To reduce the risk of fire, electric shock, or injury:

- * Do not leave the appliance when it is plugged in. Unplug the unit from the outlet when not in use and before servicing.

WARNING!

Electric shock could occur if used outdoors or on wet surfaces.

- * Do not allow to be used as a toy. Close attention is necessary when used by or near children.
- * Use only as described in this manual. Use only the manufacturer's recommended attachments.
- * Do not use with a damaged cord or plug. If the appliance is not working as it should be, has been dropped, damaged, left outdoors or dropped into water, return it to a service center.
- * Do not pull or carry by the cord or use the cord as a handle. Do not close a door on the cord, or pull the cord around sharp edges or corners. Do not run the appliance over the cord. Keep the cord away from heated surfaces.
- * Do not unplug by pulling on the cord. To unplug, grasp the plug, not the cord.
- * Do not handle the plug, cord or appliance with wet hands.
- * Do not put any object into openings. Do not use with any opening blocked. Keep free of dust, lint, hair, and anything that may reduce air flow.
- * Keep loose clothing, hair, fingers, and all parts of body away from openings and moving parts.
- * Do not pick up anything that is burning or smoking, such as cigarettes, matches, or hot ashes, or any health endangering dusts.
- * Turn off all controls before unplugging.
- * Use extra care when cleaning on stairs.
- * Do not use to pick up flammable or combustible liquids such as gasoline or use in areas where they may be present.
- * Connect to a properly grounded outlet only. See Grounding Instructions.

SAVE THESE INSTRUCTIONS

GROUNDING INSTRUCTIONS

This appliance must be grounded. If it should malfunction or breakdown, grounding provides a path of least resistance for electric current to reduce the risk of electric shock. This appliance is equipped with a cord having an equipment-grounding conductor and grounding plug. The plug must be plugged into an appropriate outlet that is properly installed and grounded in accordance with all local codes and ordinances.

DANGER!

Improper connection of the equipment-grounding conductor can result in a risk of electric shock. Check with a qualified electrician or service person if you are in doubt as to whether the outlet is properly grounded. Do not modify the plug provided with the appliance. If it will not fit the outlet, have a proper outlet installed by a qualified electrician.

This appliance is for use on a nominal 120-volt circuit, and has a grounding plug that looks like the plug illustrated in Figure 1 below. A temporary adapter illustrated in Figures 2 and 3 may be used to connect this plug to a 2-pole receptacle as shown in Figure 2 if a properly grounded outlet is not available. The temporary adapter should be used only until a properly grounded outlet (Figure 1) can be installed by a qualified electrician. The green-colored rigid ear, lug, or the like extending from the adapter must be connected to a permanent ground such as a properly grounded outlet box cover. Whenever the adapter is used, it must be held in place by a metal screw.

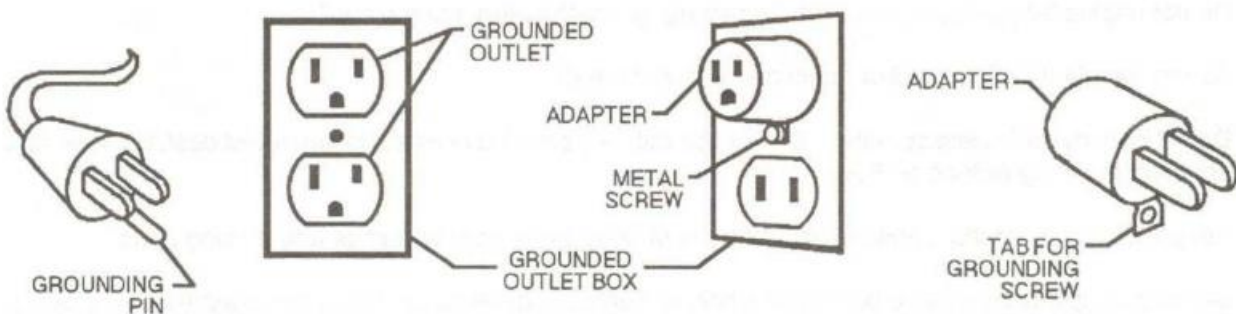
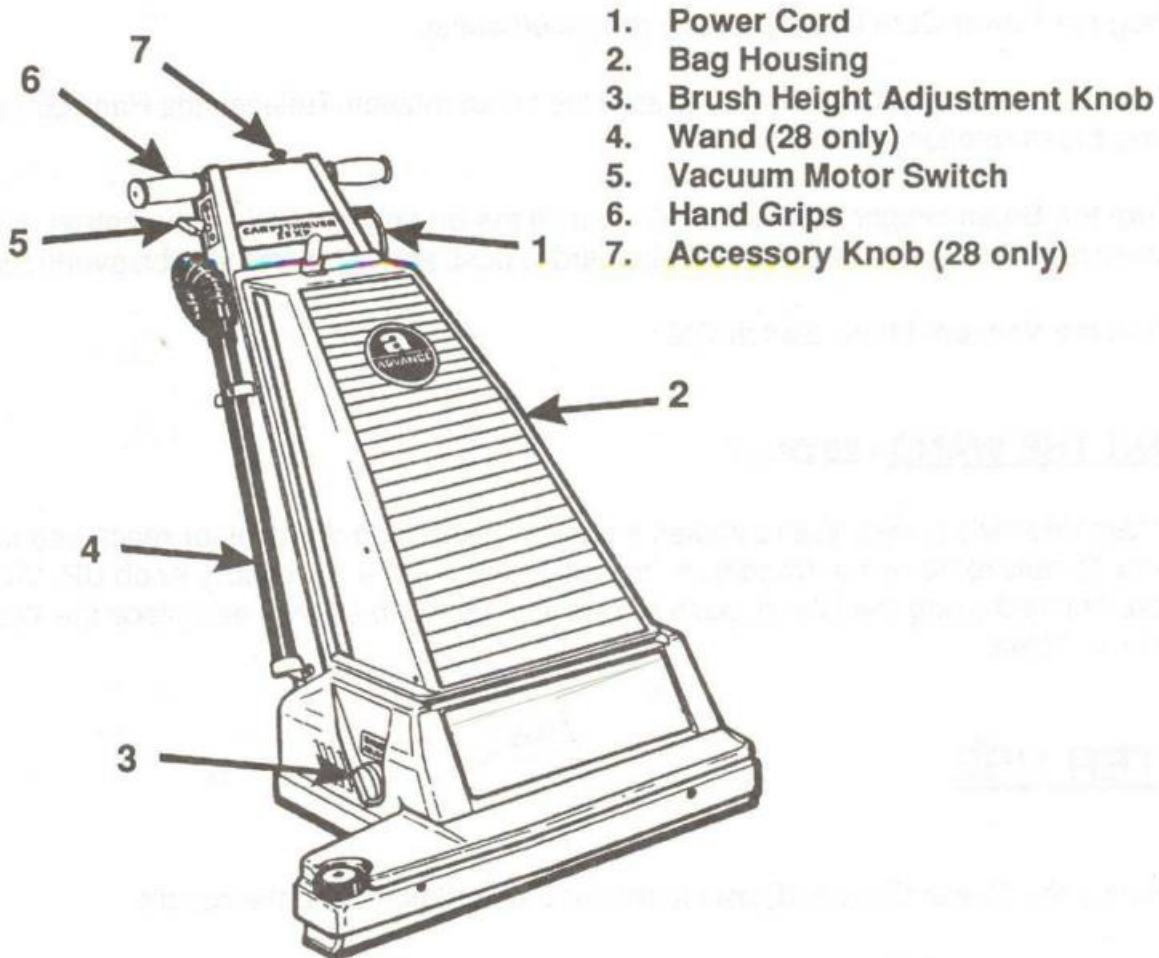


Figure 1

Figure 2

Figure 3

OPERATING CONTROLS



PREPARING THE MACHINE FOR USE

INSTALLING A FILTER BAG

1. Open the Bag Housing and install either a Cloth Filter Bag or a Paper Filter Bag.
2. Push the **Cloth Filter Bag's** rubber seal onto the intake tube. Then hang the bag clamp from the hook above the intake tube. Rest the bag on top of the bag support platform.
3. Expand the **Paper Filter Bag** by pulling out the pleats. Hold on to the cardboard square and push the filter bag's rubber seal onto the intake tube. Rest the bag on top of the bag support platform.
4. Close the Bag Housing. Do not pinch the bag between the cover and the housing.

OPERATION

1. Plug the Power Cord into a properly grounded outlet.
2. Twist the Hand Grips FORWARD to start the brush rotation. Release the Hand Grips to stop brush rotation.
3. Turn the Brush Height Adjustment Knob until the brush just touches the carpet. If the brush is set too low, the machine will be hard to push and the motor may be overloaded.
4. Turn the Vacuum Motor Switch ON.

USING THE WAND - 28 ONLY

The Carpetriever's built-in Wand makes it easy to clean high surfaces or reach into tight corners. Simply remove the Wand from its holder and pull the Accessory Knob UP. When you are finished using the Wand, push the Accessory Knob DOWN and place the Wand back in its holder.

AFTER USE

1. Unplug the Power Cord and wrap it around the cord hook and the handle.
2. Turn the Brush Height Adjustment Knob to the STORE position.
3. Check the Filter Bag. Empty the **Cloth Filter Bag** if it is full, inspect it for damage and replace it if necessary. Replace the **Paper Filter Bag** if it is full or damaged.
4. **Perform any required maintenance before storage.** See the *Maintenance* section of this manual for more information.
5. Wipe the machine with a damp cloth.
6. Store the machine indoors in a clean, dry place.

MAINTENANCE

CAUTION!

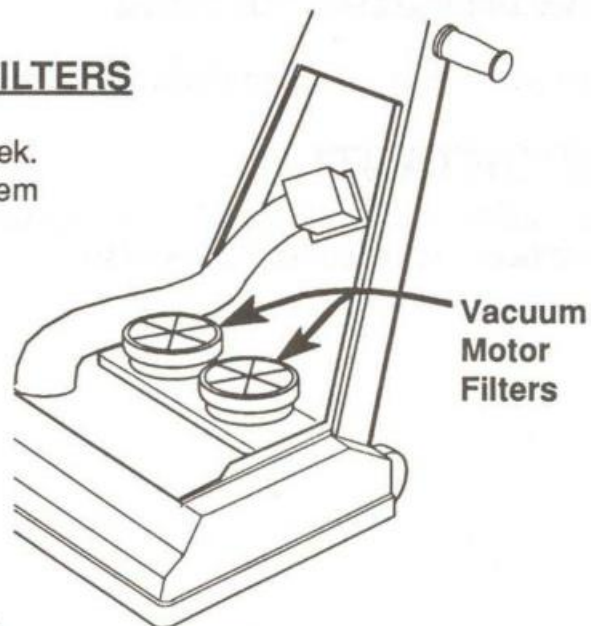
Unplug the Power Cord before performing any machine maintenance.

MAINTENANCE SCHEDULE

ITEM TO CHECK	WEEKLY	MONTHLY	YEARLY
Vacuum Motor Filters	X		
Brush	X		
Exhaust Filters		X	
Vacuum Motor Brushes			X

CLEANING THE VACUUM MOTOR FILTERS

Inspect the vacuum motor filters once a week. Clean them, if necessary, by gently tapping them on a hard surface.



CLEANING THE EXHAUST FILTERS

The exhaust filters are located between the wheels on the back of the machine. Inspect the exhaust filters once a month and clean them if necessary. Wash the filters with every third change of the filter bag (more often if working in an area where fine dust is present). Remove the filter holder from the back of the machine, then take the filters out of the filter holder. Wash the filters in warm soapy water and rinse with clear water. Allow the filters to dry completely before placing them back into the machine.

BRUSH MAINTENANCE

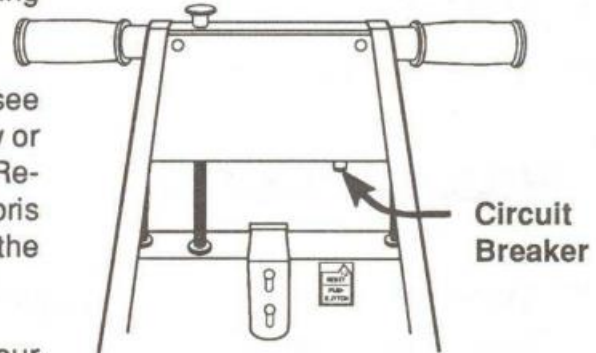
Inspect the brush once a week and remove any string, hair or carpet fibers.

CIRCUIT BREAKER

The circuit breaker keeps the motor from being damaged in case it becomes overloaded.

Whenever the circuit breaker trips, check to see if the Brush Height Adjustment is set too low or if there is debris wrapped around the brush. Re-adjust the brush height or remove the debris from the brush. Then push the button to reset the circuit breaker.

If the circuit breaker trips repeatedly, call your local Advance Dealer for service.



REAR VIEW OF HANDLE

VACUUM MOTOR BRUSHES

Have your Advance Dealer check the carbon brushes in the vacuum motors once a year.

IMPORTANT!

The vacuum motors will be ruined if they are run with worn-out brushes. This kind of motor failure is not covered by warranty.

GOODS TO BE RETURNED

In case of goods to be returned for warranty replacement, it is necessary to have a written acceptance from

FIORENTINI technical department before sending them.

All defective parts must be carefully packed in order to avoid further damages during transport.

Goods must be shipped ex-warehouse and followed by :

- **serial number of the equipment where they were installed on;**
- **item code of the defective part;**
- **detailed description of the defect and of the conditions where it happened.**

In case of defective electric or electronic goods, please return them separately from other materials, in order to help us in dividing dangerous wastegoods and recycle the (RAEE) as DER 2002/96/CEE LOW.



CONFORMITY DECLARATION

Conformity declaration is consigned with the support and the manual of operating and maintenance instructions.

**DICHIARAZIONE CE DI CONFORMITA'-DECLARATION OF CONFORMITY
DECLARATION DE CONFORMITE-EG-KONFORMITÄT SERKLÄRUNG-
DECLARACION DE CONFORMIDAD**
(ai sensi dell'allegato II 1.A della Direttiva Macchine 2006/42/CE)

La ING.O.FIORENTINI SPA
con sede in Via Piancaldoli 1896 Firenzuola, 50033, (FI)

DICHIARA/DECLARES/DECLARE/ERKLÄRT/ DECLARA
in qualità di costruttore sotto la propria responsabilità che la macchina
As manufacturer under its own responsibility that the machine
En tant que fabricant sous sa propre responsabilité que la machine
Als Hersteller, erkläre, in alleiniger Verantwortung, dass das Produkt
Como fabricante, bajo su responsabilidad que la máquina

CE

Modello/model/modèle/Typ/modelo
**Matricola/serial number/numero de série/
Fabriknummer/ Número matricula**
**Anno di costruzione /
Year of production/ Année de production/
Baujahr/ Año de producción**

a cui la presente dichiarazione si riferisce è conforme alle prescrizioni
which this declaration refers to, is in conformity with the requirements
à laquelle se réfère cette déclaration, est en conformité avec les prescriptions
Auf das sich diese Erklärung bezieht, mit der normativen übereinstimmt.
que esta declaración se refiere, está en conformidad con los requisitos

*della direttiva macchine 2006/42/CE/ Directive 2006/42/CE / de la Directive 2006/42/CE / der EG-Richtlinie 2006/42/EG über
Maschinen / De la directiva máquinas 2006/42/CE*

*della direttiva compatibilità elettromagnetica 2014/30/EU/ the Electromagnetic Compatibility Directive 2014/30 / EU / de la Directive
Compatibilité Electromagnétique 2014/30 /EU / elektromagnetische Verträglichkeit (EMV) 2014/30/EU / la directiva de
compatibilidad electromagnética 2014/30/EU*

*della direttiva sui rifiuti di apparecchiature elettriche ed elettroniche (RAEE) 2012/19/UE/ Directive on Waste of Electrical and
Electronic Equipment (WEEE) 2012/19 / EU/ de la directive relative aux déchets d'équipements électriques et électroniques (DEEE)
2012/19 / UE / Elektrische und elektronische Geräte Abfälle (DEEE) 2012/19/UE. Directiva sobre residuos de aparatos eléctricos y
electrónicos (RAEE) 2012/19/UE/
(ISCRIZIONE AL REGISTRO PRODUTTORI A.E.E.: N° IT1201000007391)*

In particolare alle disposizioni normative
In particular, the regulatory rules
En particulier, les dispositions réglementaires
Gemäß den Bestimmungen der Richtlinie
En particular, las normas reguladoras

**EN ISO 12100, EN ISO 13857, EN ISO 13850, EN 60204-1, EN 349,
EN 953, EN ISO 4413, EN 60335, EN 60335-1, EN 60335-2-69, EN 60335-2-72, EN 55014-1, EN 55014-2,
EN 62233, EN 61000-6-2, EN 61000-6-4**

Il fascicolo tecnico è costituito da Ing.O.Fiorentini S.p.a. in qualità di persona giuridico - via Piancaldoli 1896 Firenzuola 50033 Fraz. Piancaldoli (FI) - Italia
The technical dossier consists of Ing.O.Fiorentini Spa as a legal person - via Piancaldoli 1896 Firenzuola 50033 Fraz. Piancaldoli (FI) - Italy
Le dossier technique est constitué de Ing.O.Fiorentini Spa comme personne juridique - via Piancaldoli 1896 Firenzuola 50033 Fraz. Piancaldoli (FI) - Italie
Die technische Dokumentation besteht aus Ing.O.Fiorentini Spa as a legal person - via Piancaldoli 1896 Firenzuola 50033 Fraz. Piancaldoli (FI) - Italy
El expediente técnico se compone de Ing.O.Fiorentini Sp a como una persona jurídica - via Piancaldoli 1896 Firenzuola 50033 Fraz. Piancaldoli (FI) - Italia

Ing. O. Fiorentini S.p.a.
Il Legale Rappresentante/president/gérant/ representante

Angela Maria Cerutti

Piancaldoli
Luogo e data

Firma *Angela Maria Cerutti*



REVISIONE N°07/011

TECHNICAL ASSISTENCE

SERVICING ADDRESSES

For warranty assistance and/or request of maintenance and repair, or information, customer can apply to the Technical Service of FIORENTINI S.p.A. as follows:

ING. O. FIORENTINI S.p.A. **“THE BEST IN FLOOR MACHINES”**

FILIALI:

20132 MILANO – Fax. 02/2592779

Via Palmanova 211/a – Tel. 02/27207783 - 2564810

00012 Guidonia Montecelio (ROMA) – Fax. (0774)353419 - 353314

Via B. Pontecorvo 20 – Tel. (0774)357184 - 353015

STABILIMENTO:

50030 PIANCALDOLI (FI) – Fax. 055/817144

Loc. Rombola – Tel. 055/8173610

Many technical problems can easily find a solution; therefore, before contacting our Customer Service, we advice to read carefully this manual.

Where consulting the Service, it occurs to clearly specify kind and modalities of problem, to provide with the in a suitable way.

VERBAL CLAIM

Fiorentini S.r.l, has a big consideration of customer needings, that's why we think we can always get precious information to improve our products, placing at customer's disposal a statement to point out possible defects using our CARPETSWEeper 28.

Mat. n.

Serial no. _____

Nr. de serie

Data di spedizione

Date of shipment _____

Date de spedition

Distributed by:

ING. O. FIORENTINI S.p.A.
“THE BEST IN FLOOR MACHINES”

FILIALI:

20132 MILANO – Fax. 02/2592779

Via Palmanova 211/a – Tel. 02/27207783 - 2564810

00012 Guidonia Montecelio (ROMA) – Fax. (0774)353419 - 353314

Via Ponte Corvo 20 – Tel. (0774)357184 - 353015

STABILIMENTO:

50030 PIANCALDOLI (FI) – Fax. 055/817144

Loc. Rombola – Tel. 055/8173610